

Resilient Seated Gate Valves

GV-Resilient seated gate valve is a soft seal disc which is fully encapsulated with rubber. The valve is designed with new technology for light operating, no clogging and no corrosion, good resilient memory & long service life. It can be used extensively in all kinds of water supply & sewage, fire-fighting and function as a shut-off or regulating valve.

Features:

- Newly advanced design, less operation torque & abrasion resistance.
- Body & Cover are made of high grade Ductile Iron.
- Disc is designed with an abrasion resistant nylon guide which can help less opening or closing torque and smooth during operation.
- Forged stem provide stronger stem operation and less moving parts.
- Disc is covered by high-grade rubber which complies with drinking water.
- High-tech rubber curing with precise geometry dimensions, more resilient & strong adhesive to ductile casting.
- The 3 O-ring stem seals are designed to prevent stem leakage. and provide replacement of the O-ring without disassembling of valve from mainline pipes.
- Both inside & outside are coated with epoxy resin powder.
- Product standard meets BS EN 1074-2, BS 5163 (type B)
- F/F (Face to Face) meets the following standard: BS EN558-1.



Field services:

Water supply, sewage, fire fighting, irrigation, water circulation, heat, cooling system.

Technical Data:

Size Range: DN50~DN600mm
Pressure Rating: 1.0Mpa; 1.6Mpa
Working Temperature: -10°C- 80°C
Flow Media: Water, Sewage
End Connection: PN 10/ 16

Suzhou Alpine Flow Control Co., Ltd.

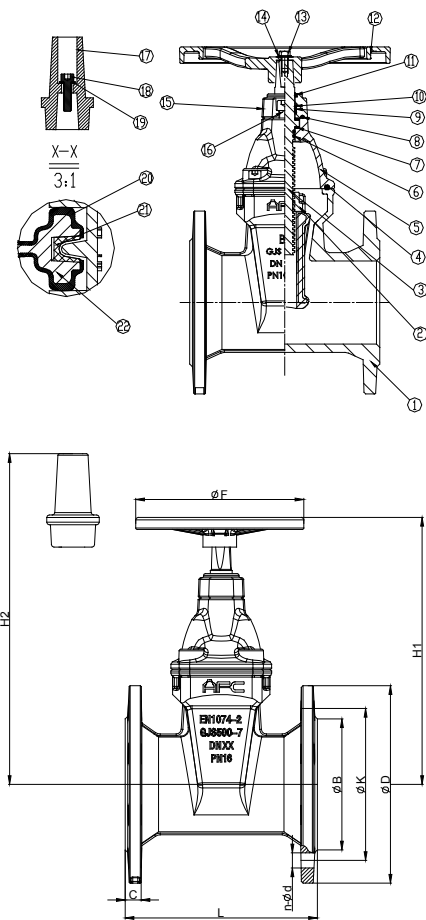
tel : 86 512 6673 2918 | fax: 86 512 6673 2928
e-mail: exsales@alpinefc.com.cn
site: www.alpinefc.com.cn

Add: B5ChaoYangFactory, Caohu Industrial Park,
Xiangcheng Economic Development Zone,
Suzhou, Jiangsu Province, China, ZIP: 215131



Part List

Non-Rising Stem



No	Parts Names	Material	Standard
1	Body	Ductile Iron	EN GJS 500-7
2	Wedge Nut	Forged Brass/Bronze	CZ122
3	Stem	Stainless Steel	AISI 420
4	Gasket	Rubber	EPDM
5	Bonnet	Ductile Iron	EN GJS 500-7
6	O-ring	Rubber	EPDM
7	Washer	Brass	CZ 122
8	O-ring	Rubber	EPDM
9	Bushing	Brass	CZ122
10	O-ring	Rubber	EPDM
11	Dust Wiper	Rubber	NBR
12	Handwheel	CS	Commercial
13	Hex Bolt	Stainless Steel	SS304
14	Washer	Stainless Steel	SS304
15	Gland	Ductile Iron	EN GJS 500-7
16	In Hex Bolt	Stainless Steel	SS304
17	Cap	Ductile Iron	EN GJS 500-7
18	In Hex Bolt	Stainless Steel	SS304
19	Washer	Stainless Steel	SS304
20	Wedge Lining	Rubber	EPDM
21	Guide	Plastic	Nylon 66
22	Wedge	Ductile Iron	EN GJS 500-7

Confirms to BS 5163; BS EN 1074; BS 1171.

Flanges comply with EN 1092-2

250 um powder epoxy coating thickness

Tests:

Hydraulic test to BS / EN

Seat :1.1 x PN Body: 1.5 x PN

Dimension:

Unit: mm

DN	Model No	L			H1	H2	ØB	ØD		ØK		N- Ød		c	ØF
		BS	F4	F5				PN10	PN16	PN10	PN16	PN10	PN16		
50	GBCX-0050	178	150	250	240	255	99	165	125	4-Ø19	18	180			
65	GBCX-0065	190	170	270	258	280	118	185	145	4-Ø19	18	180			
80	GBCX-0080	203	180	280	293	311	132	200	160	8-Ø19	18	180			
100	GBCX-0100	229	190	300	326	340	156	220	180	8-Ø19	18	200			
125	GBCX-0125	254	200	325	377	386	184	250	210	8-Ø19	18	250			
150	GBCX-0150	267	210	350	414	430	211	285	240	8-Ø23	18	250			
200	GBCX-0200	292	230	400	510	550	266	340	295	8-Ø23 12-Ø23	18	300			
250	GBCX-0250	330	250	450	585	625	319	395	405	350	355	12-Ø23 12-Ø28	19	350	
300	GBCX-0300	356	270	500	663	703	370	445	460	400	410	12-Ø23 12-Ø28	21	350	
350	GBCX-0350	381	290	550	890	955	429	505	520	460	470	16-Ø23 16-Ø28	26.5	450	
400	GBCX-0400	406	310	600	970	1040	480	565	580	515	525	16-Ø26 16-Ø31	28	450	
450	GBCX-0450	432	330	650	1025	1105	520	615	640	565	585	20-Ø26 20-Ø31	30	450	
500	GBCX-0500	457	350	700	1153	1235	609	670	715	620	650	20-Ø26 16-Ø34	31.5	450	
600	GBCX-0600	508	390	800	1310	1395	720	780	840	725	770	20-Ø30 20-Ø37	36	450	

tel : 86 512 6673 2918 | fax: 86 512 6673 2928

e-mail: exsales@alpinefc.com.cn

site: www.alpinefc.com.cn

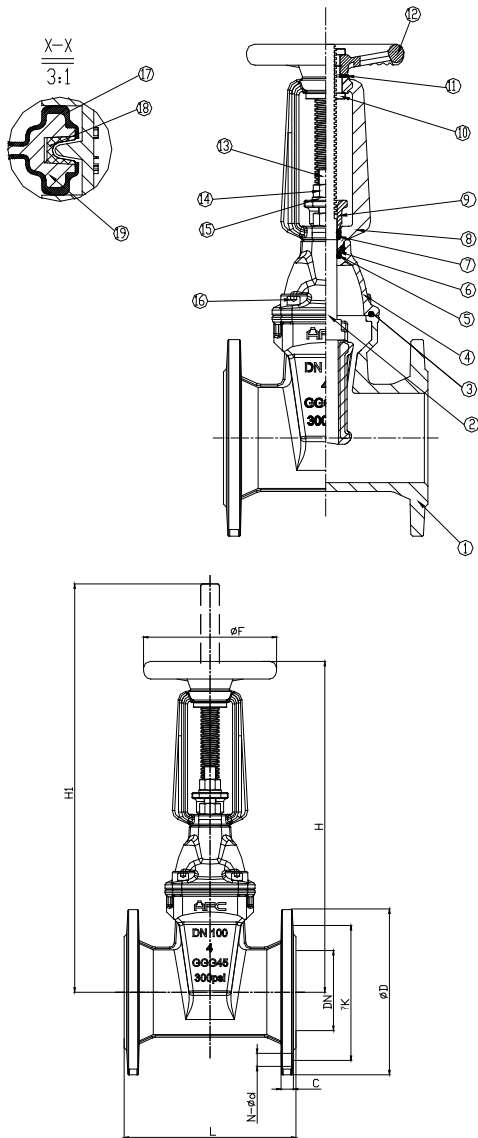
Add: B5ChaoYangFactory, Caohu Industrial Park,

Xiangcheng Economic Development Zone,

Suzhou, Jiangsu Province, China, ZIP: 215131



Rising Stem



Part List

No	Parts Names	Material	Standard
1	Body	Ductile Iron	EN GJS 500-7
2	Stem	Stainless Steel	AISI 420 / AISI 431
3	Gasket	Rubber	NBR
4	Bonnet	Ductile Iron	EN GJS 500-7
5	O-ring	Rubber	NBR
6	Washer	Brass	CZ 122
7	O-ring	Rubber	NBR
8	Yoke	Ductile Iron	EN GJS 500-7
9	Plate	Ductile Iron	EN GJS 500-7
10	Thrust Nut	Forged Brass	CZ122
11	Washer	Forged Brass	CZ122
12	Handwheel	CS	Commercial
13	Thread Bar	CS	Commercial
14	Nut	CS Zinc Plated	Commercial
15	Washer	CS	Commercial
16	In Hex Bolt	CS	Commercial
17	Wedge Lining	Rubber	EPDM
18	Guide	Plastic	Nylon 66
19	Wedge	Ductile Iron	EN GJS 500-7

Tests:

Hydraulic test to BS / EN

Seat :1.1 x PN

Body: 1.5 x PN

Dimension:

Unit: mm

DN	Model No	L			H	H1	ØD		ØK		n- Ød		c	ØF
		BS	F4	F5			PN10	PN16	PN10	PN16	PN10	PN16		
50	RBHX-0050	178	150	250	312	382	165	125	4-Ø19	18	200			
65	RBHX-0065	190	170	270	338	408	185	145	4-Ø19	18	200			
80	RBHX-0080	203	180	280	393	480	200	160	8-Ø19	18	250			
100	RBHX-0100	229	190	300	441	544	220	180	8-Ø19	18	250			
125	RBHX-0125	254	200	325	559	692	250	210	8-Ø19	18	280			
150	RBHX-0150	267	210	350	598	759	285	240	8-Ø23	18	280			
200	RBHX-0200	292	230	400	743	953	340	295	8-Ø23 12-Ø23	18	350			
250	RBHX-0250	330	250	450	880	1140	395	405	350 355 12-Ø23 12-Ø28	19	350			
300	RBHX-0300	356	270	500	1009	1319	445	460	400 410 12-Ø23 12-Ø28	21	350			

Suzhou Alpine Flow Control Co., Ltd.

tel : 86 512 6673 2918 | fax: 86 512 6673 2928

e-mail: exsales@alpinefc.com.cn

site: www.alpinefc.com.cn

Add: B5ChaoYangFactory, Caohu Industrial Park,

Xiangcheng Economic Development Zone,

Suzhou, Jiangsu Province, China, ZIP: 215131



Ordering Code

GB H X - 0200 -16 - XXX

Model:

G4: Non-Rising Stem Gate Valve F4 Type
G5: Non-Rising Stem Gate Valve F5 Type
GA: Non-Rising Stem Gate Valve AWWA Type
GB: Non-Rising Stem Gate Valve BS Type
R4: Rising-Stem Gate Valve F4 Type
R5: Rising-Stem Gate Valve F5 Type
RA: Rising-Stem Gate Valve AWWA Type
RB: Rising-Stem Gate Valve BS Type

Operator:

H: Handwheel
C: Cap
B: Bare
E: Electrical/Bare
I: With Mechanical Indicator For Non-Rising Stem Type, W/HW
S: With Mechanical Indicator And Wiring Signal For Non-Rising Stem Type

Bonnet Type:

X: A Type With Gland.
T: T Type W/o Gland.

Trim Code:

Please consult factory
For Different colour and other materials.

End Connection:

10: PN10
16: PN16
1K: JIS 10K
A1: ANSI 125 F/F
A5: ANSI 150 R/F

Valve Size:

0080: 80 mm
0200: 200 mm

Suzhou Alpine Flow Control Co., Ltd.

tel : 86 512 6673 2918 | fax: 86 512 6673 2928

e-mail: exsales@alpinefc.com.cn

site: www.alpinefc.com.cn

Add: B5ChaoYangFactory, Caohu Industrial Park,

Xiangcheng Economic Development Zone,

Suzhou, Jiangsu Province, China, ZIP: 215131

