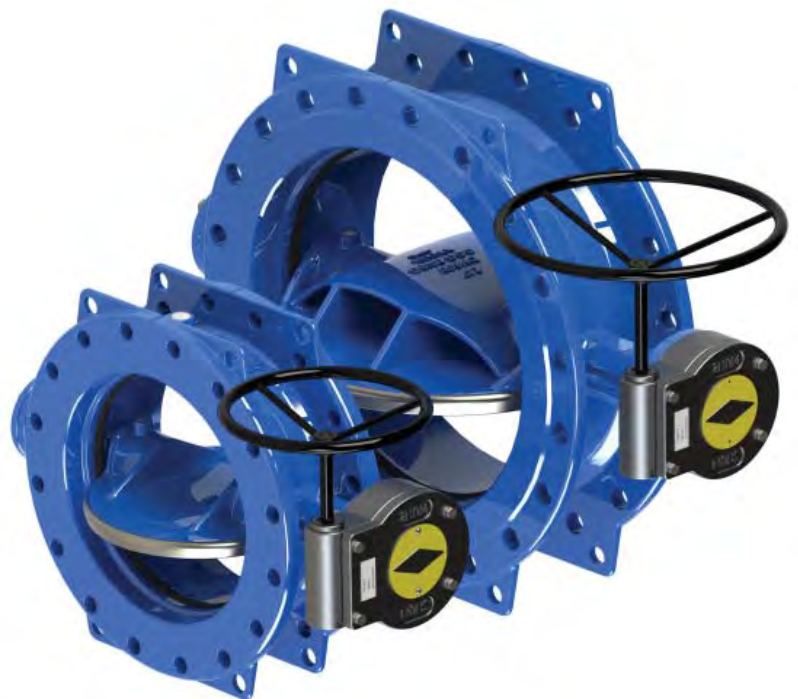


FBGD-Double Eccentric Flange Butterfly Valve

FBGD is a double eccentric flange butterfly valve, with rubber seal on the body, it provides the lowest operational torque and smaller actuator, much less wearing, the dovetail seal design has been proven over half century service with reliability.

Features:

- . The valve is made of DI body and DI disc.
- . Advanced newly design with dovetail seal design and captured by epoxy on the back with multiple raised ring to have more contact with disc seat but less friction during closure.
- . The double eccentric design provides less contact area of seal with disc, and less stress at the open position of the disc.
- . The disc design with arch shape and thru disc can provide better flow capacity, stronger and less weight.
- . The shaft and disc connection with tangential pin which can be exchangeable and provide rigid connection.
- . The DN100-500MM use flat disc, and DN600-1800MM use arch shape disc.
- . Epoxy coated interior and exterior.
- . Product Standard: EN 593,
Top flange connection meets ISO 5211-1982,
Face to Face meets EN 558-1.
Flange connection: EN1092-2



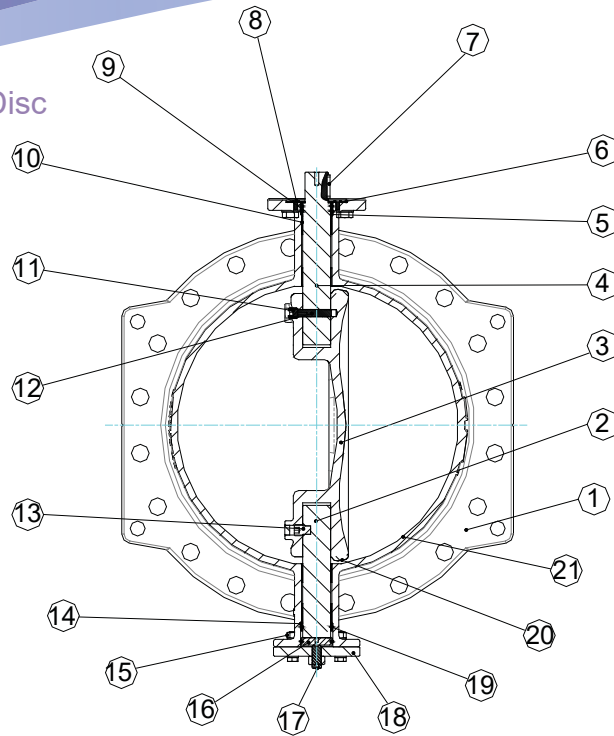
Service Fields:

Water works system, waste water system, water distribution system, HVAC system, industry, petro chem plant, power plant.

Technical Data:

Size Range: DN100-1800mm
Ratings: 1.0Mpa; 1.6Mpa,
Working Temperature: -10°C ~80°C
Flow media: Water & Wastewater

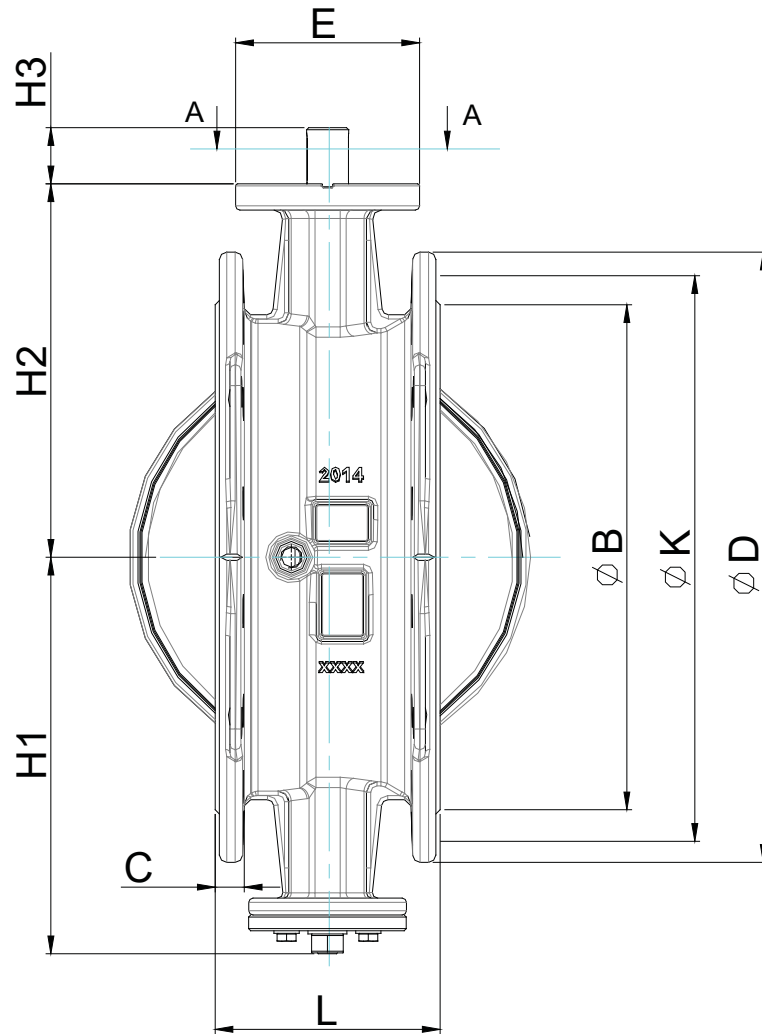
Main Valve-DN100-500-Flat Disc



Parts List

No.	Part Name	Material	Standard
1	Body	Ductile Iron	GJS 500-7
2	Lower Shaft	Stainless Steel	AISI 420/304/316
3	Disc	Ductile Iron	GJS 500-7
4	Main Shaft	Stainless Steel	AISI 420/304/316
5	Backup Ring	Plastic	PTFE
6	Retaining Plate	Carbon Steel	#45+ EPDM Coated
7	Shaft Key	Carbon Steel	Commercial
8	In Hex Bolt	Stainless Steel	SS304
9	O-ring	Rubber	NBR
10	Shaft Bearing	Carbon Steel+ Bronze/ PTFE	Commercial
11	In Hex Bolt	Stainless Steel	SS304
12	Pin	Stainless Steel	AISI 431
13	In Hex Bolt	Stainless Steel	SS304
14	Shaft Bearing	Carbon Steel+ Bronze/ PTFE	Commercial
15	Hex Bolt	Stainless Steel	SS304
16	Position Plate	Ductile Iron	GJS 500-7
17	In Hex Bolt	Stainless Steel	SS304
18	Bottom Flange	Ductile Iron	GJS 500-7
19	O-ring	Rubber	EPDM/NBR
20	Disc Seat	DI+ Epoxy/ Stainless Steel	GJS 500-7+Powder Epoxy/316SS L
21	Body Seat	Rubber	EPDM/NBR

Dimension-DN100-500

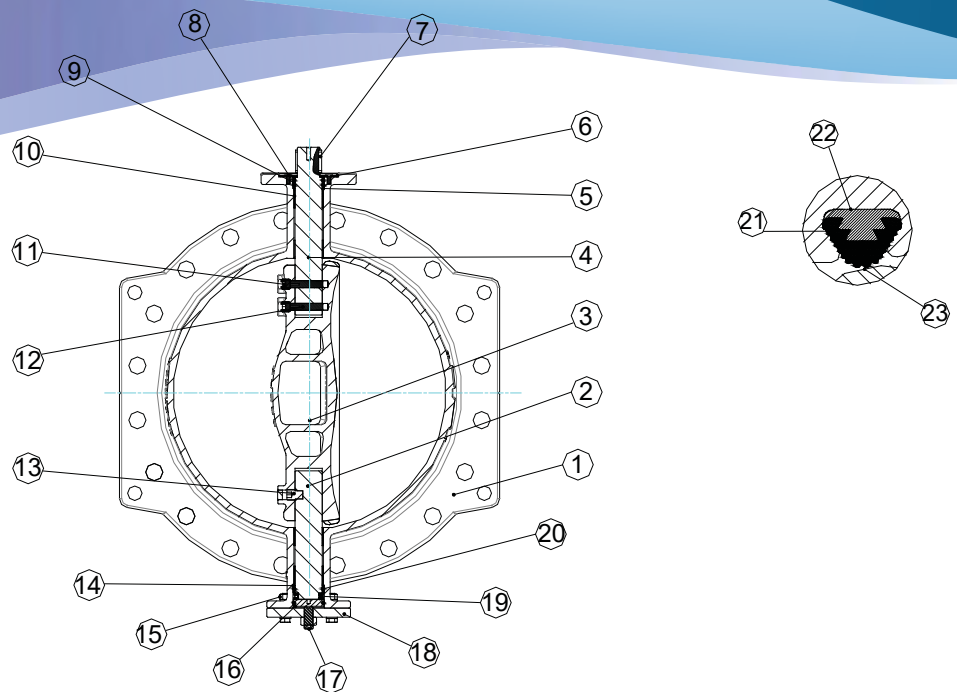


Unit: mm

DN	Model No.	L	H1	H2	H3	ØB		ØK		ØD		C		E
						PN10	PN16	PN10	PN16	PN10	PN16	PN10	PN16	ISO5211
100	FBBD-0100	127	158	168	32	156		180		220		19		F07
150	FBBD-0150	140	200	202	32	211		240		285		19		F10
200	FBBD-0200	152	268	260	45	266	266	295	295	340	340	20		F10
250	FBBD-0250	165	310	305	45	319	319	350	355	395	395	22		F10
300	FBBD-0300	178	342	340	45	370	370	400	410	445	460	24.5		F12
350	FBBD-0350	190	355	340	45	429	429	460	470	505	520	24.5	26.5	F12
400	FBBD-0400	216	380	355	50	480	480	515	525	565	580	24.5	28	F14
450	FBBD-0450	222	420	405	50	530	548	565	585	615	640	25.5	30	F14
500	FBBD-0500	229	455	425	55	582	609	620	650	670	715	26.5	31.5	F14

* All Final Dimensions Referred to Shop Drawing

Main Valve-DN600-1800

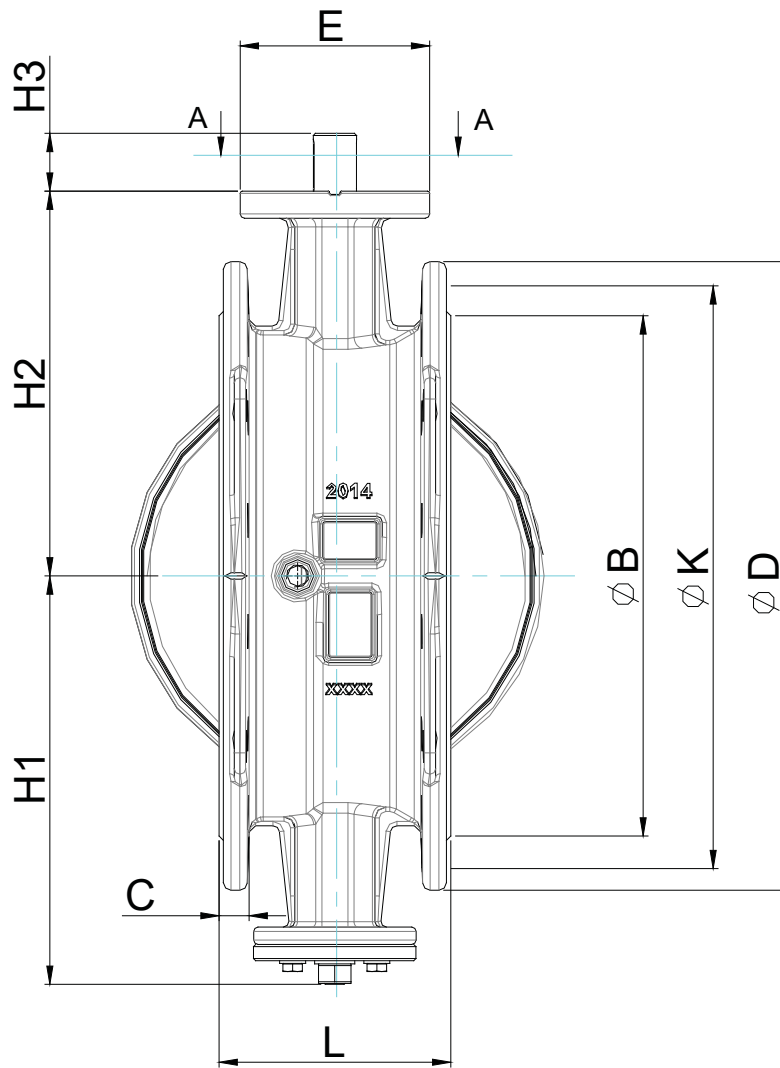


Parts List

No.	Part Name	Material	Standard
1	Body	Ductile Iron	GJS 500-7
2	Lower Shaft	Stainless Steel	AISI 420/304/316
3	Disc	Ductile Iron	GJS 500-7
4	Main Shaft	Stainless Steel	AISI 420/304/316
5	Backup Ring	Plastic	PTFE
6	Retaining Plate	Carbon Steel	#45+EPDM Coated
7	Shaft Key	Carbon Steel	Commercial
8	In Hex Bolt	Stainless Steel	SS304
9	O-ring	Rubber	NBR
10	Shaft Bearing	Carbon Steel+Bronze/ PTFE	Commercial
11	In Hex Bolt	Stainless Steel	SS304
12	Pin	Stainless Steel	AISI 431
13	In Hex Bolt	Stainless Steel	SS304
14	Shaft Bearing	Carbon Steel +Bronze/PTFE	Commercial
15	Hex Bolt	Stainless Steel	SS304
16	Position Plate	Ductile Iron	GJS 500-7
17	In Hex Bolt	Stainless Steel	SS304
18	Bottom Flange	Ductile Iron	GJS 500-7
*19	Thrust Bearing	Steel	ASTM E52100
20	O-ring	Rubber	EPDM/NBR
21	Body Seat	Rubber	EPDM/NBR
22	Wedge	Epoxy	Commercial
23	Disc Seat	DI+ Epoxy/Stainless Steel	GJS 500-7+Powder Epoxy/316SS L

* For size ≥DN700.

Dimension-DN600-1800



Unit: mm

DN	Model No.	L	H1	H2	H3	ØB		ØK		ØD		C		E ISO5211
						PN10	PN16	PN10	PN16	PN10	PN16	PN10	PN16	
600	FBBD-0600	267	520	525	55	682	720	725	770	780	840	30	36	F16
700	FBBD-0700	292	600	565	75	794	794	840	840	895	910	32.5	39.5	F16
800	FBBD-0800	318	660	640	75	901	901	950	950	1015	1025	35	43	F16/F25
900	FBBD-0900	330	725	718	110	1001	1001	1050	1050	1115	1125	37.5	46.5	F25
1000	FBBD-1000	410	800	782	110	1112	1112	1160	1170	1230	1255	40	50	F25
1100	FBBD-1100	410	820	822	110	1220	1215	1270	1270	1355	1355	46	56	F25
1200	FBBD-1200	470	950	940	110	1328	1328	1380	1390	1455	1485	40	57	F25
1400	FBBD-1400	530	990	1070	150	1530	1530	1590	1590	1675	1685	46	60	F30
1500	FBBD-1500	530	1060	1130	140	1645	1640	1700	1710	1820	1820	56	56	F30
1600	FBBD-1600	600	1080	1200	175	1750	--	1820	--	1915	1930	49	65	F35
1800	FBBD-1800	670	1190	1310	180	1950	--	2020	--	2115	2130	52	70	F40

* All Final Dimensions Referred to Shop Drawing

Ordering Code

FB G D-0400-16-XXX

Model:

FB: Flange Butterfly Valve

Operator:

P: Pneumatic Operator
G: Worm Gear Operator
E: Electric Operator
B: Bare Valve

Type:

D: Double Eccentric

Trim Code:

Please consult factory for different colour and other materials etc.

End Connection:

10: PN10
16: PN16

Valve Size:

0400: 400 mm
1800: 1800 mm